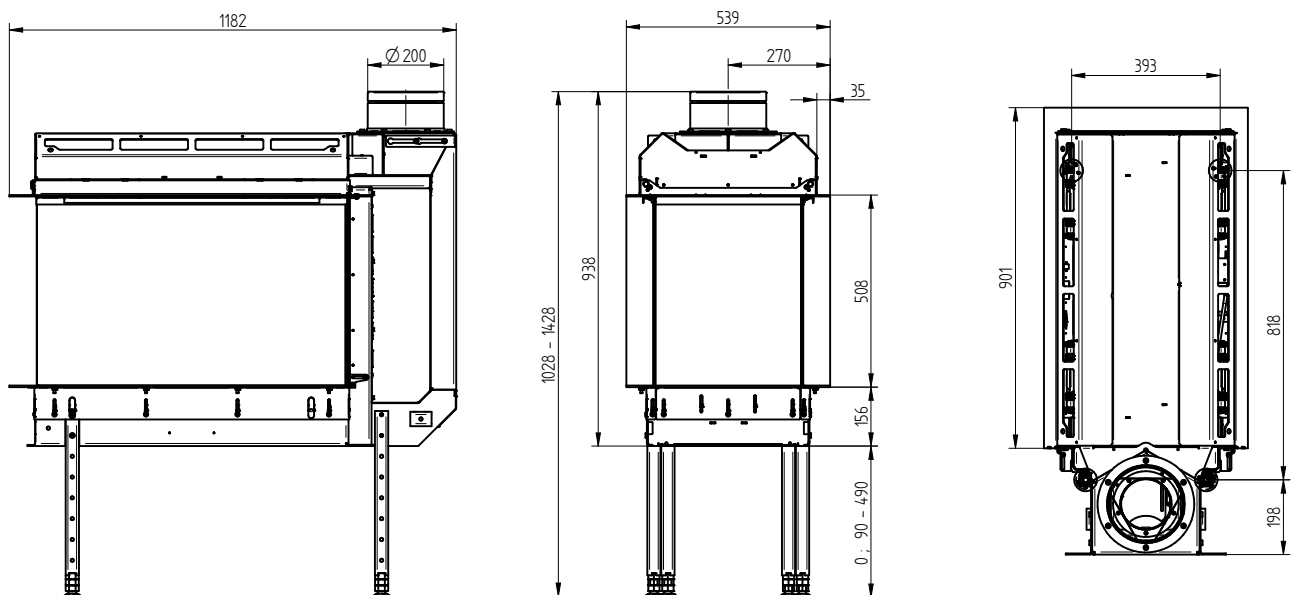


UKA G-82RD

Technical data

	Natural gas		Liquefied petroleum gas	
	G20	G25	G30	G31
Category	G20	G25	G30	G31
Operational Data				
Nominal heat power	7,3 kW	6,4 kW	6 kW	5,4 kW
Reduced power (Eko mode)	2,3 kW	2,1 kW	2 kW	1,5 kW
Efficiency	79,0 %	78,2 %	77,9 %	78,8 %
Gas consumption at nominal heat power	0,992 m ³ /h	0,992 m ³ /h	0,236 m ³ /h	0,236 m ³ /h
Gas pressure	20 mbar	20 mbar	28 / 30 mbar	30 mbar
Data for convection enclosure				
Minimal grill area supply / outgoing	400 / 400 cm ²			
Minimum distance from insulated areas / floor	30 / 100 mm			
Calciumsilikat insulation ¹ ceiling / back wall / side wall / floor	30 / 40 / 40 / 0 mm			
Data for heat radiation enclosure				
Minimum radiant area ²	4 m ²			
Minimal grill area supply / outgoing	350 / 350 cm ²			
Minimum distance from insulated areas / floor	30 / 100 mm			
Calciumsilikat insulation ¹ ceiling / back wall / side wall / floor	40 / 40 / 40 / 0 mm			
General technical information				
Smoke outlet	130 / 200 mm			
Installation type	C11 / C31 / C91			
Gas connection	1/2 inch			
Total weight / with ribbed lining	152 kg / 202 kg			
Tested according to	EN 613			

UKA G-82RD room divider Build-on frame 4/30 mm



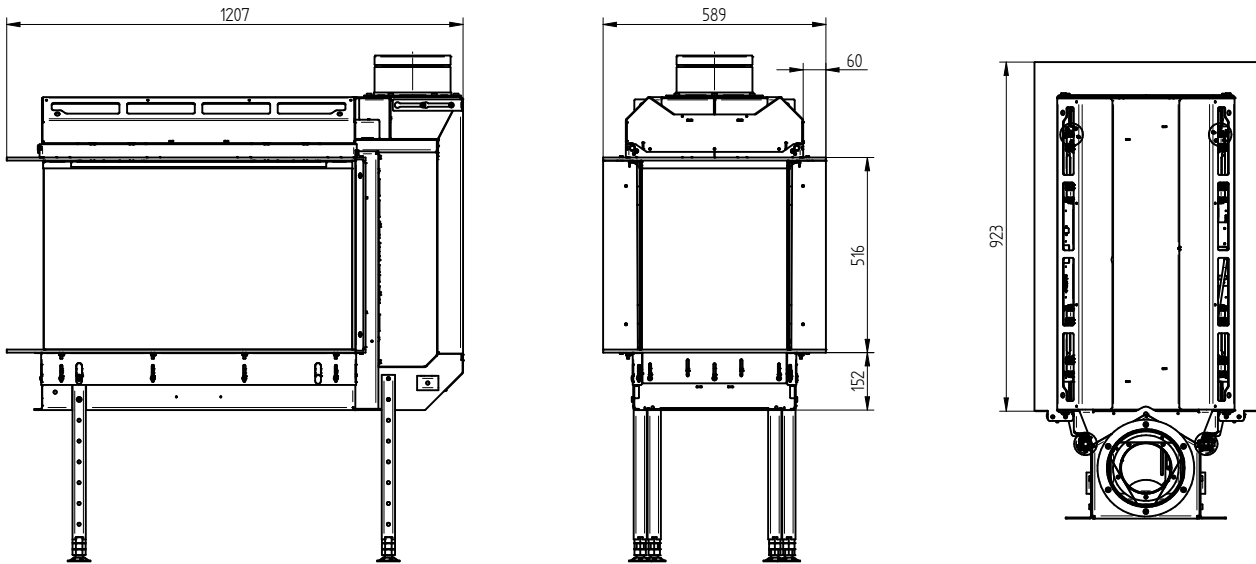
1 Example SkamoEnclosure Board 225 kg/m³.

2 Depends on accumulation period and material characteristics.

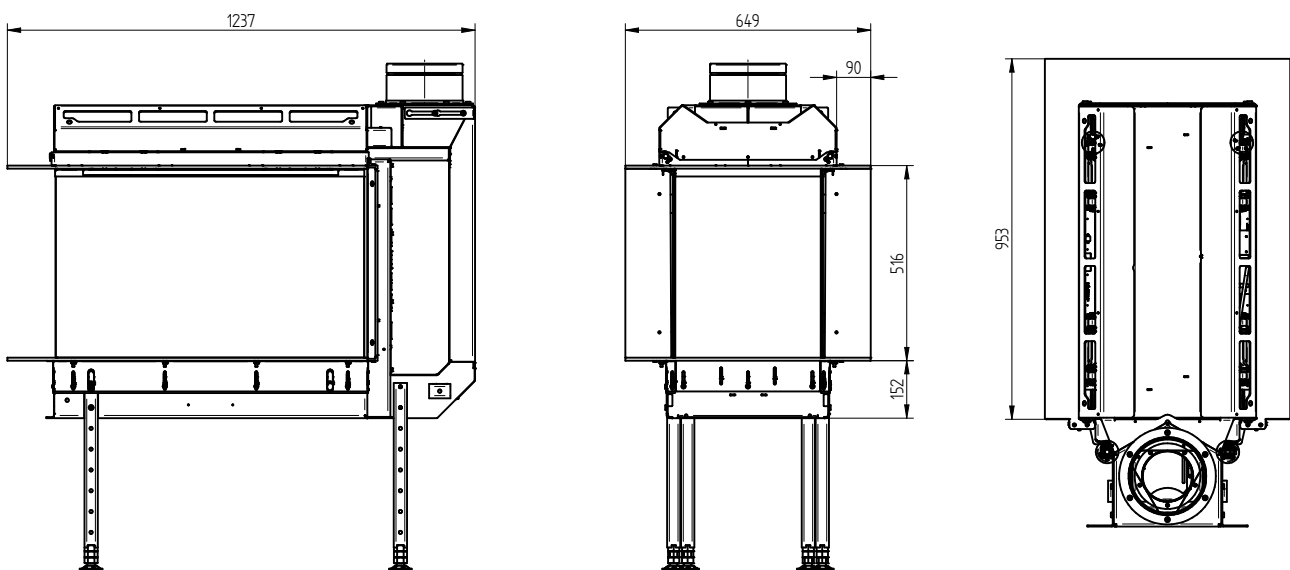
Listed values calculated with chamotte stone thickness 30 mm with radiant area 500 W/m².

UKA G-82RD

UKA G-82RD room divider Build-on frame 8/55 mm

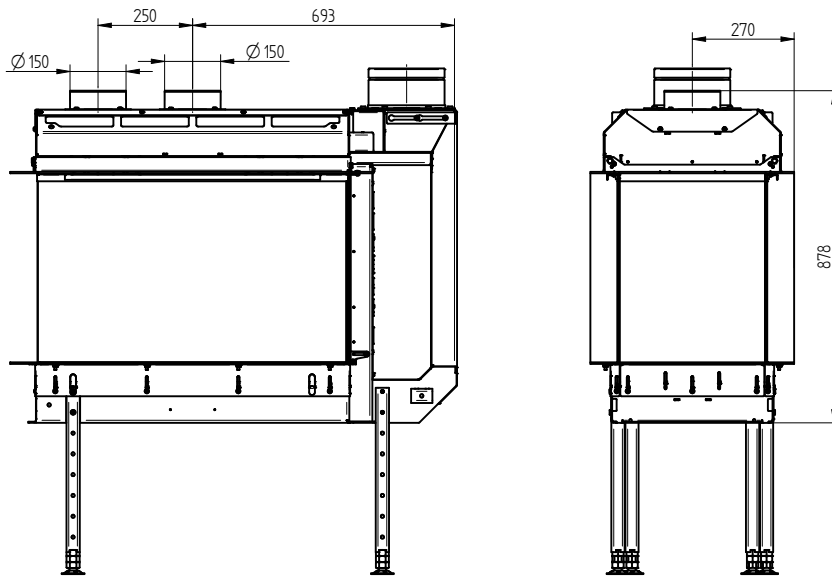


UKA G-82RD room divider Build-on frame 8/85 mm



UKA G-82RD

UKA G-82 RD room divider Convection jacket



Technical box with connection to appliance (length 2,5 m) 1:20

