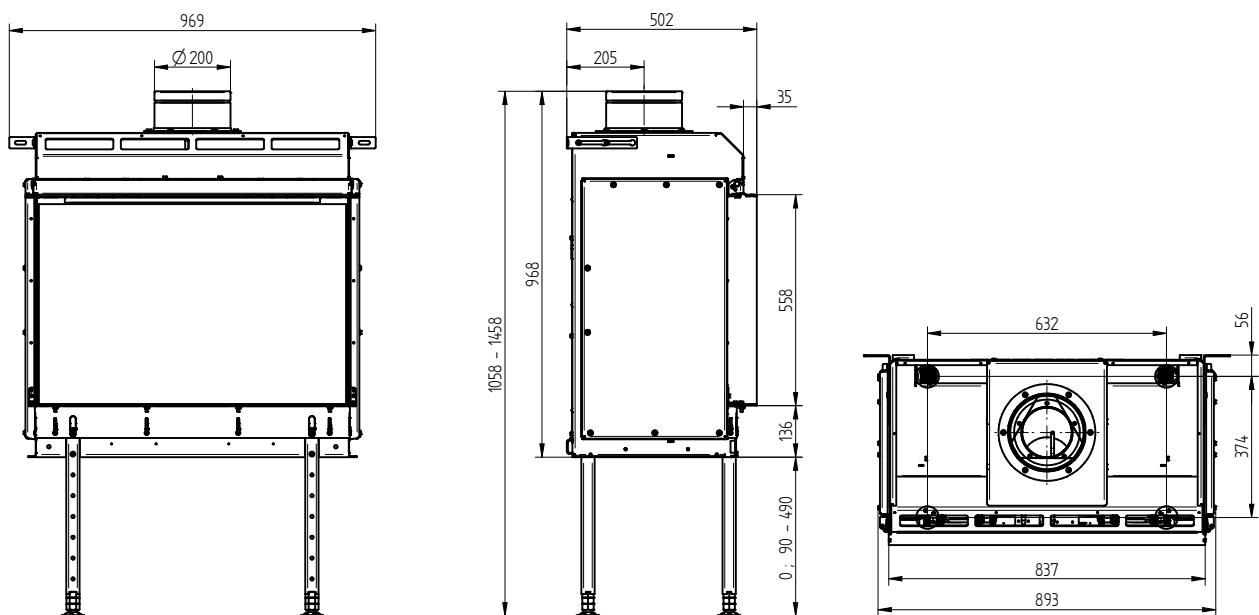


# HAKA G-82

## Technical data

Technical data	Natural gas		Propane	
	G20	G25	G30	G31
Category	G20	G25	G30	G31
<b>Operational Data</b>				
Nominal heat power	7,1 kW	7,0 kW	5,5 kW	5,3 kW
Reduced power (Eko mode)	1,4 kW	1,4 kW	1,5 kW	1,5 kW
Efficiency	81,3 %	81,1 %	79,9 %	79,5 %
Gas consumption at nominal heat power	0,936 m <sup>3</sup> /hod	0,936 m <sup>3</sup> /hod	0,232 m <sup>3</sup> /hod	0,232 m <sup>3</sup> /hod
Gas pressure	20 mbar	20 mbar	28 / 30 mbar	30 mbar
<b>Data for convection enclosure</b>				
Minimal grill area supply / outgoing	400 / 400 cm <sup>2</sup>			
Minimum distance from insulated areas / floor	30 / 100 mm			
Calciumsilikat insulation <sup>1</sup> ceiling / back wall / side wall / floor	30 / 40 / 40 / 0 mm			
<b>Data for heat radiation enclosure</b>				
Minimum radiant area <sup>2</sup>	4 m <sup>2</sup>			
Minimal grill area supply / outgoing	350 / 350 cm <sup>2</sup>			
Minimum distance from insulated areas / floor	30 / 100 mm			
Calciumsilikat insulation <sup>1</sup> ceiling / back wall / side wall / floor	40 / 40 / 40 / 0 mm			
<b>General technical information</b>				
Smoke outlet	130 / 200 mm			
Installation type	C11 / C31 / C91			
Gas connection	1/2 inch			
Total weight / with ribbed lining	152 kg / 202 kg			
Tested according to	EN 613			

## HAKA G-82 Build-on frame 4/30 mm



1 Example SkamoEnclosure Board 225 kg/m<sup>3</sup>.

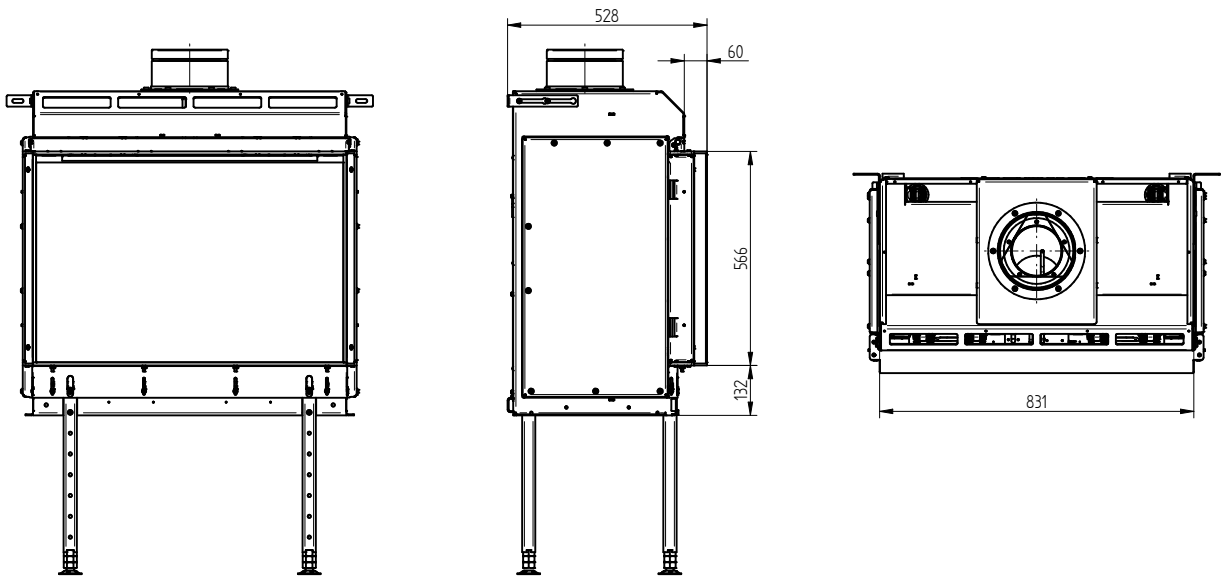
2 Depends on accumulation period and material characteristics.

Listed values calculated with chamotte stone thickness 30 mm with radiant area 500 W/m<sup>2</sup>.

# HAKA G-82

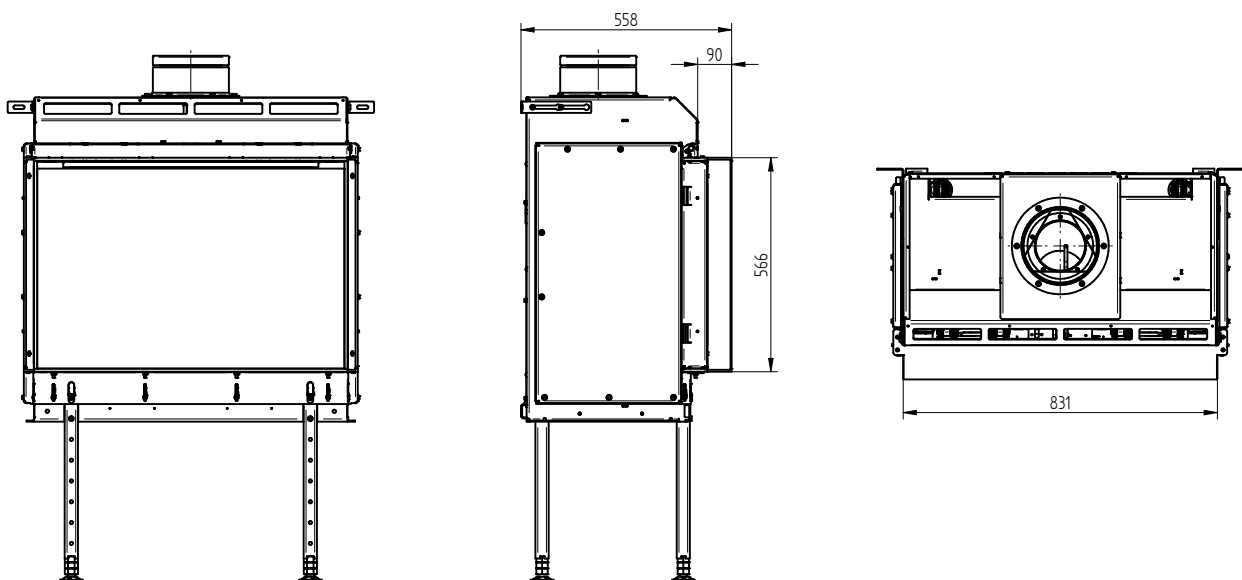
HAKA G-82 Build-on frame 8/55 mm

---



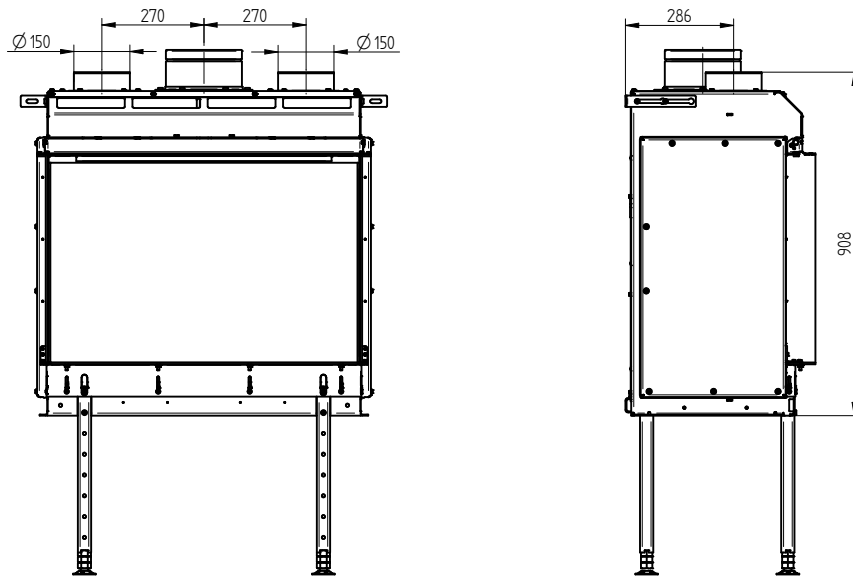
HAKA G-82 Build-on frame 8/85 mm

---

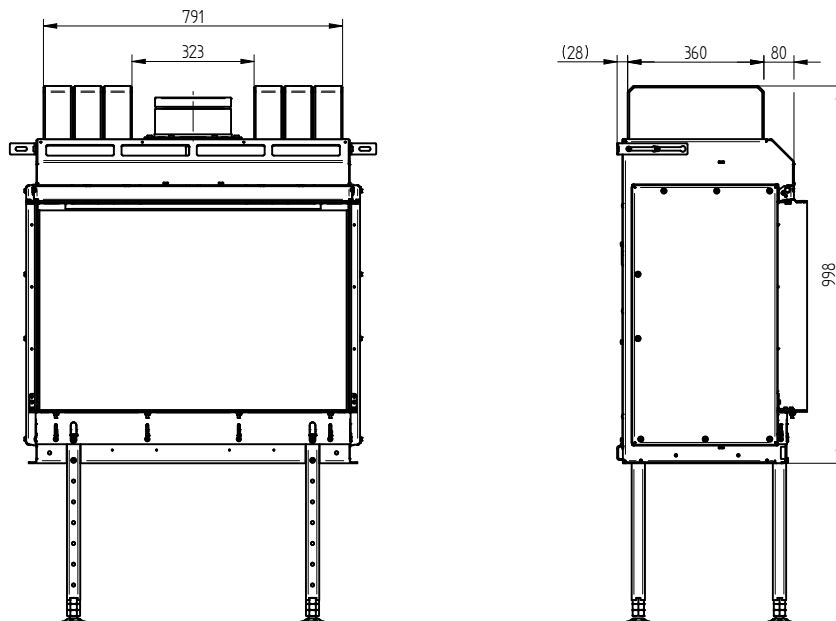


# HAKA G-82

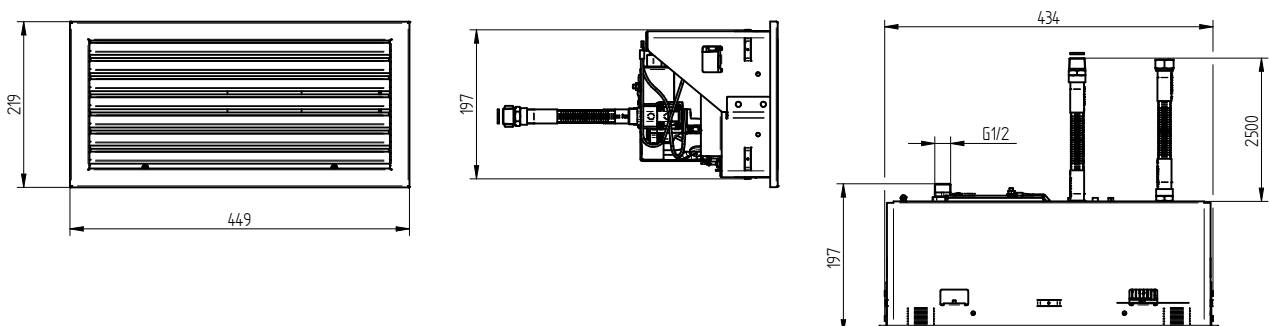
## HAKA G-82 Convection jacket



## HAKA G-82 Accumulation set



## Technical box with connection to appliance (length 2,5 m) 1:20



M 1:20