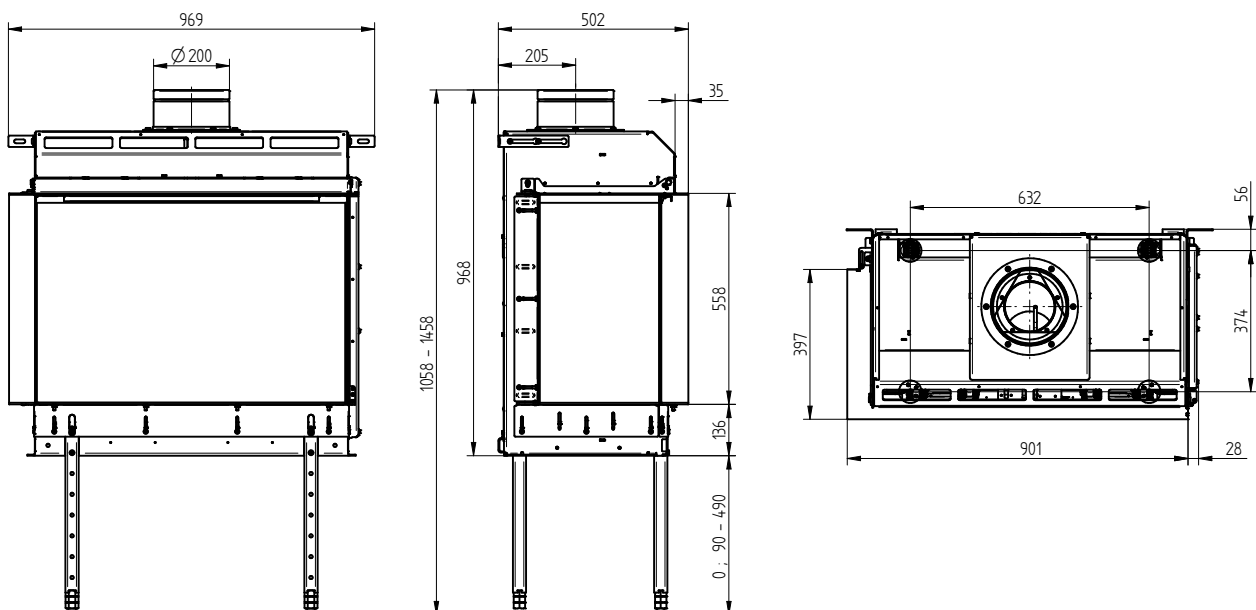


ECKA G-82L

Technical data

	Natural gas		Propane	
	G20	G25	G30	G31
Category				
Operational Data				
Nominal heat power	7,1 kW	7,0 kW	5,5 kW	5,3 kW
Reduced power (Eko mode)	1,4 kW	1,4 kW	1,5 kW	1,5 kW
Efficiency	81,3 %	81,1 %	79,9 %	79,5 %
Gas consumption at nominal heat power	0,936 m ³ /hod	0,936 m ³ /hod	0,232 m ³ /hod	0,232 m ³ /hod
Gas pressure	20 mbar	20 mbar	28 / 30 mbar	30 mbar
Data for convection enclosure				
Minimal grill area supply / outgoing	400 / 400 cm ²			
Minimum distance from insulated areas / floor	30 / 100 mm			
Calciumsilikat insulation ¹ ceiling / back wall / side wall / floor	30 / 40 / 40 / 0 mm			
Data for heat radiation enclosure				
Minimum radiant area ²	4 m ²			
Minimal grill area supply / outgoing	350 / 350 cm ²			
Minimum distance from insulated areas / floor	30 / 100 mm			
Calciumsilikat insulation ¹ ceiling / back wall / side wall / floor	40 / 40 / 40 / 0 mm			
General technical information				
Smoke outlet	130 / 200 mm			
Installation type	C11 / C31 / C91			
Gas connection	1/2 inch			
Total weight / with ribbed lining	152 kg / 202 kg			
Tested according to	EN 613			

ECKA G-82L left Build-on frame 4/30 mm



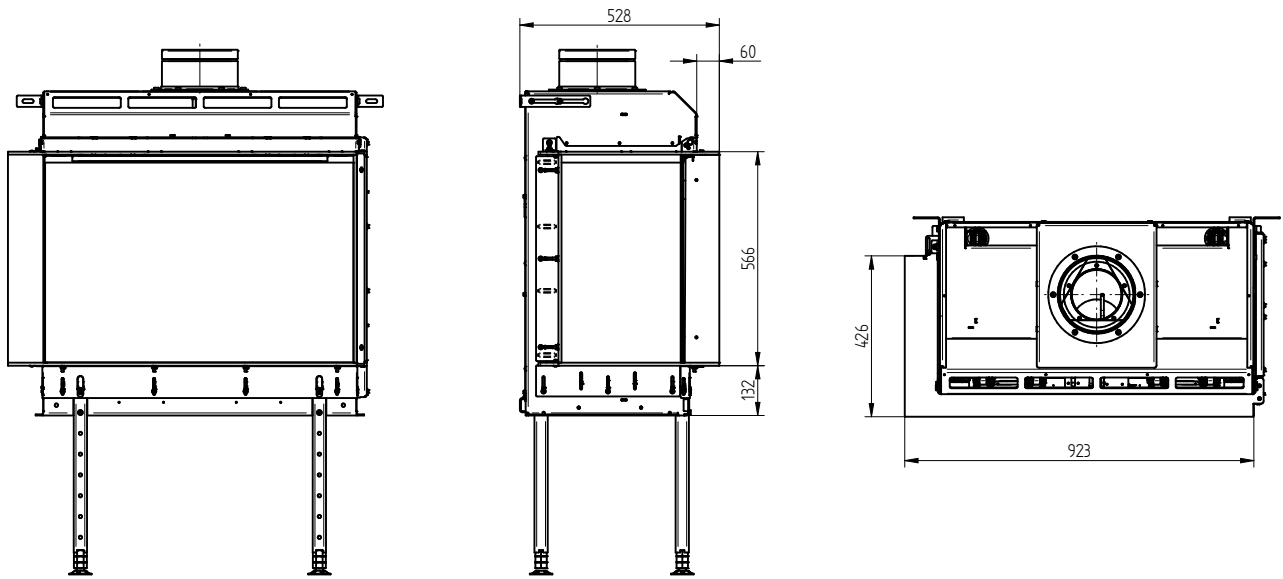
¹ Example SkamoEnclosure Board 225 kg/m³.

² Depends on accumulation period and material characteristics.

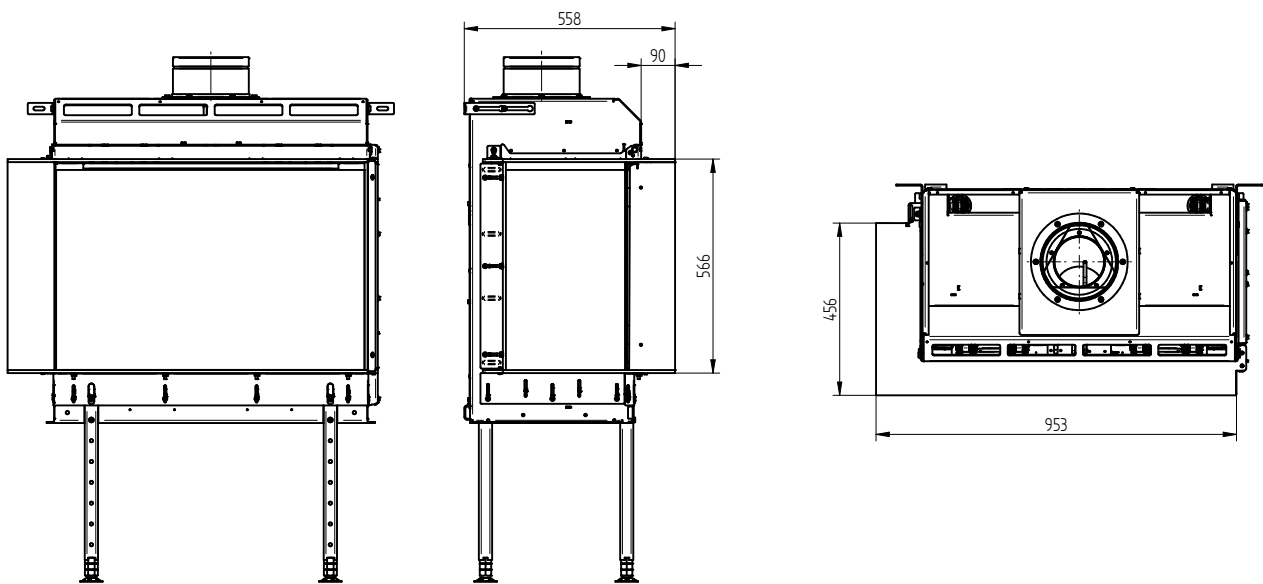
Listed values calculated with chamotte stone thickness 30 mm with radiant area 500 W/m².

ECKA G-82L

ECKA G-82L left Build-on frame 8/55 mm

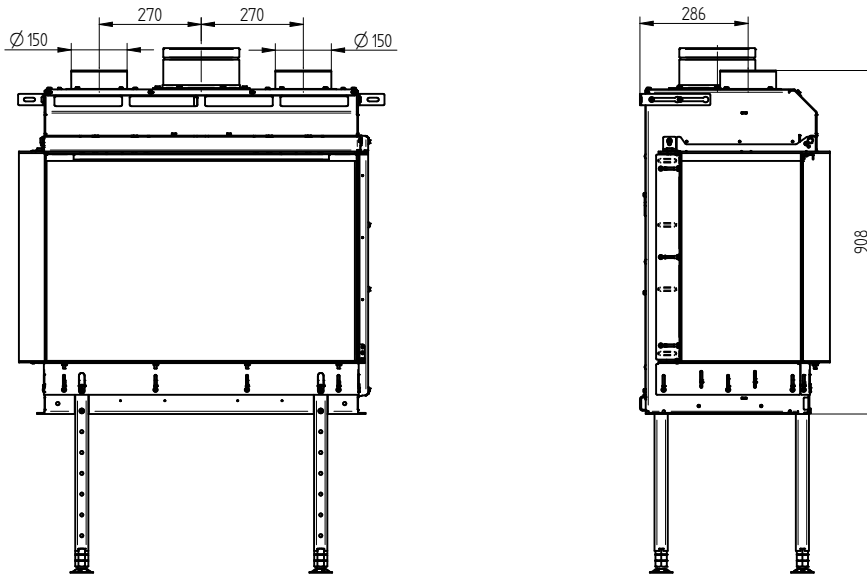


ECKA G-82L left Build-on frame 8/85 mm

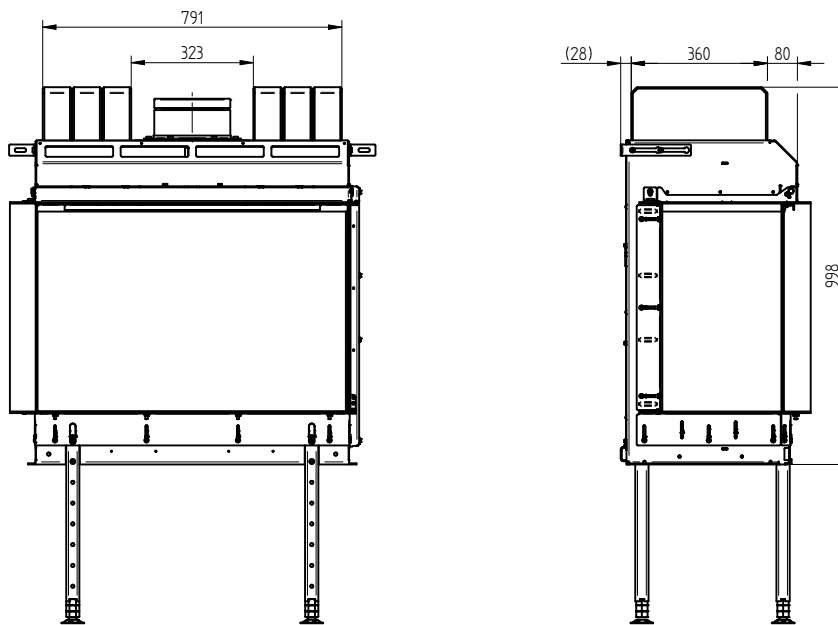


ECKA G-82L

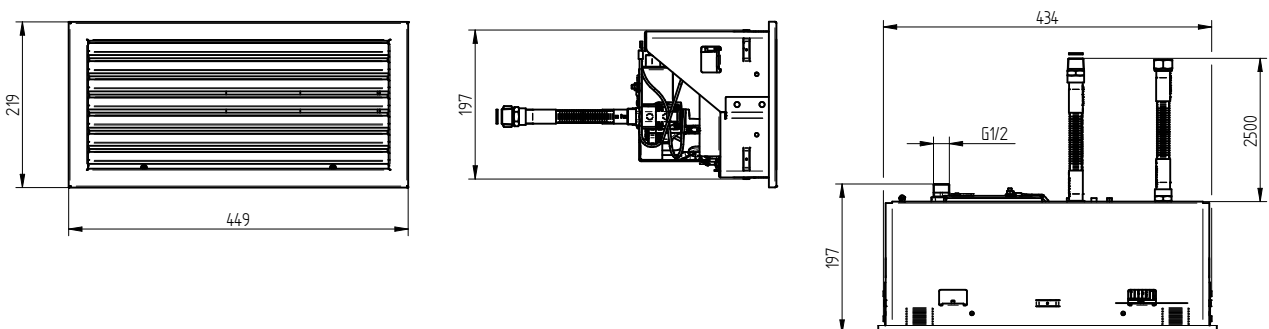
ECKA G-82L left Convection jacket



ECKA G-82L left Accumulation set



Technical box with connection to appliance (length 2,5 m) 1:20



M 1:20

ECKA G-82R right

Article number	Description	Price
G1000211	ECKA G-82R right	5 796 €

Included in delivery

Description

Set G-82 natural gas 20/25 mbar (I2E+, E2H, I2E, I2EK)

Build on frame ECKA G-82R thickness 4 mm / depth 30 mm

Lining ECKA G-82R flat

Ceramic logs G-82 nature

Power cable with E/F type plug

Technical box with connection to appliance (length 2,5 m)

Remote control (incl. 2x AAA batteries)

Exhaust pipe 130/200

Extra charge

Article number	Description	Price
G1000212	Build on frame ECKA G-82R thickness 8mm / depth 55mm	297 €
G1000213	Build on frame ECKA G-82R thickness 8mm / depth 85mm	356 €
G1000215	Set G-82 propane 30 /37/50mbar (I3+, I3B/P, I3P)	0 €
G1000216	Set G-82 natural gas 20mbar (I2ELL)	0 €
G1000214	Lining ECKA G-82 L/R ribbed	438 €
G1000217	Ceramic logs G-82 black	58 €
G1000218	Convection jacket G-82	153 €
G1000219	WIFI Set (Hoxter App, Audio)	AVAILABLE FROM 10/2024 347 €
G1000220	AUDIO Set	183 €
G1000221	Power cable with G type plug (UK, Ireland)	29 €
G1000222	Power cable with J type plug (Switzerland)	29 €
G1000223	Power cable with L type plug (Italy)	29 €

Accessories

Article number	Description	Price
G1000224	Accumulation mass set 120 kg ¹	274 €

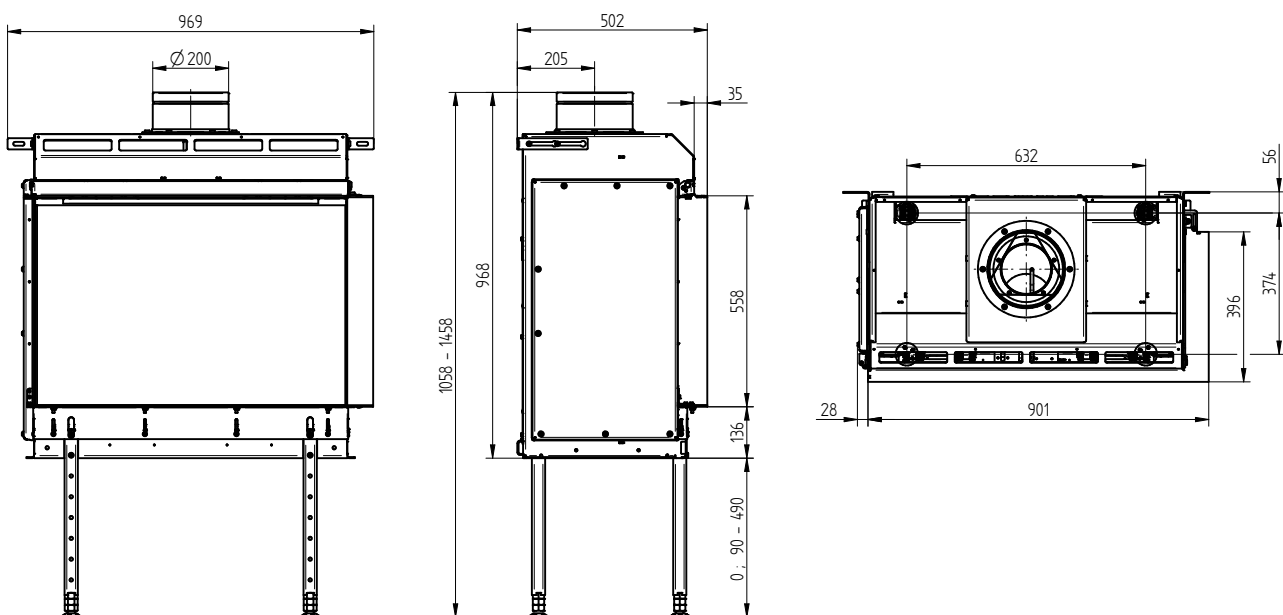
¹ Not compatible with convection jacket

ECKA G-82R

Technical data

Technical data	Natural gas		Propane	
	G20	G25	G30	G31
Category	G20	G25	G30	G31
Operational Data				
Nominal heat power	7,1 kW	7,0 kW	5,5 kW	5,3 kW
Reduced power (Eko mode)	1,4 kW	1,4 kW	1,5 kW	1,5 kW
Efficiency	81,3 %	81,1 %	79,9 %	79,5 %
Gas consumption at nominal heat power	0,936 m ³ /hod	0,936 m ³ /hod	0,232 m ³ /hod	0,232 m ³ /hod
Gas pressure	20 mbar	20 mbar	28 / 30 mbar	30 mbar
Data for convection enclosure				
Minimal grill area supply / outgoing	350 / 350 cm ²			
Minimum distance from insulated areas / floor	30 / 100 mm			
Calciumsilikat insulation ¹ ceiling / back wall / side wall / floor	30 / 40 / 40 / 0 mm			
Daten für Bauweise mit Strahlungsgehäuse				
Minimum radiant area ²	4 m ²			
Minimal grill area supply / outgoing	400 / 400 cm ²			
Minimum distance from insulated areas / floor	30 / 100 mm			
Calciumsilikat insulation ¹ ceiling / back wall / side wall / floor	40 / 40 / 40 / 0 mm			
General technical information				
Smoke outlet	130 / 200 mm			
Installation type	C11 / C31 / C91			
Gas connection	1/2 inch			
Total weight / with ribbed lining	152 kg / 202 kg			
Tested according to	EN 613			

ECKA G-82R right Build-on frame 4/30 mm



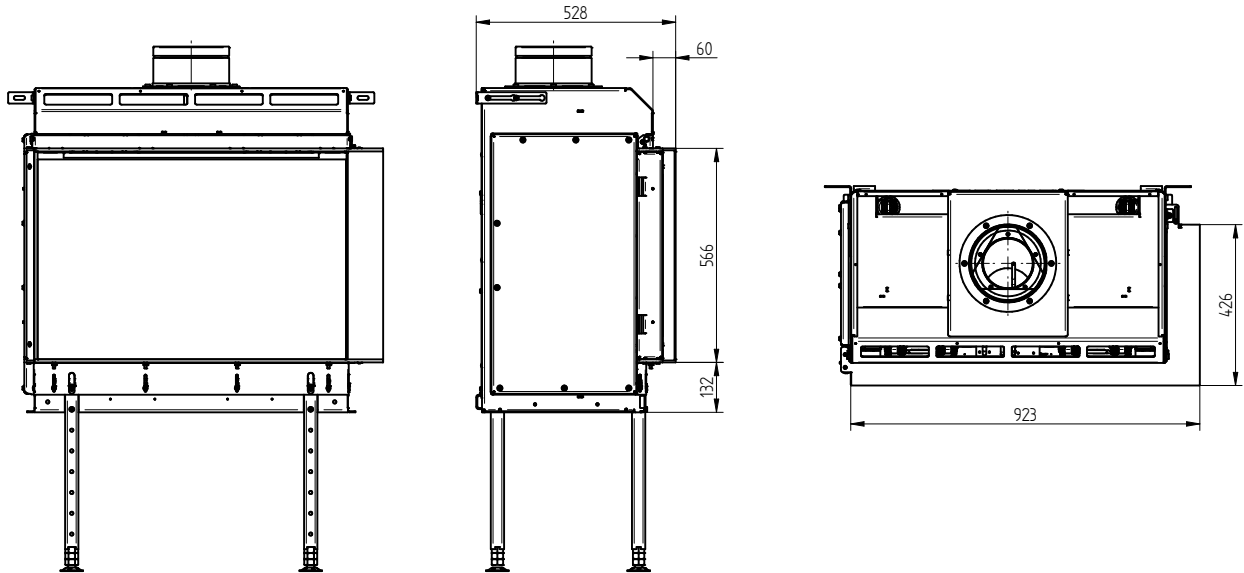
1 Example SkamoEnclosure Board 225 kg/m³.

2 Depends on accumulation period and material characteristics.

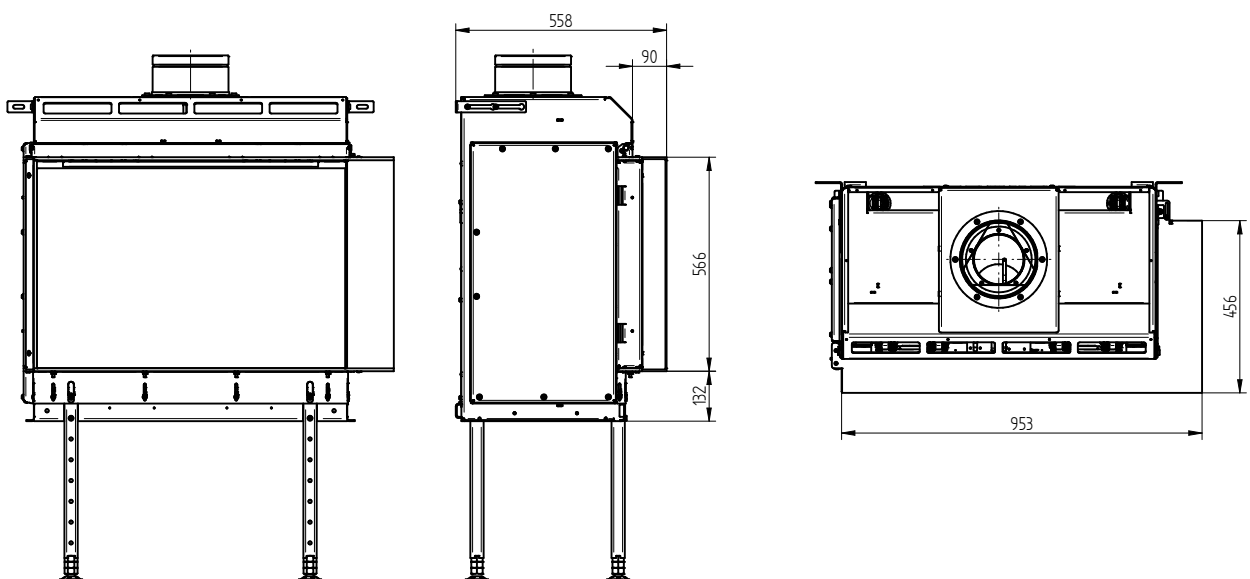
Listed values calculated with chamotte stone thickness 30 mm with radiant area 500 W/m².

ECKA G-82R

ECKA G-82R right Build-on frame 8/55 mm

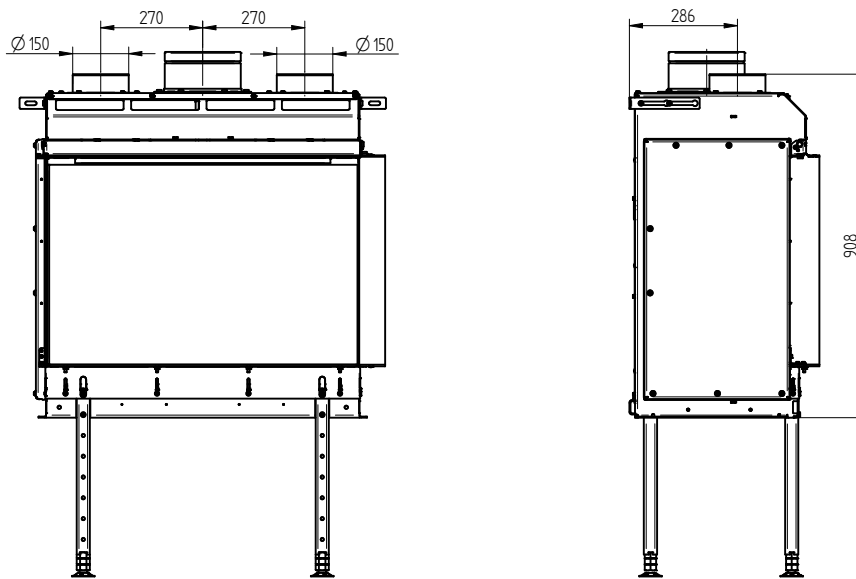


ECKA G-82R right Build-on frame 8/85 mm

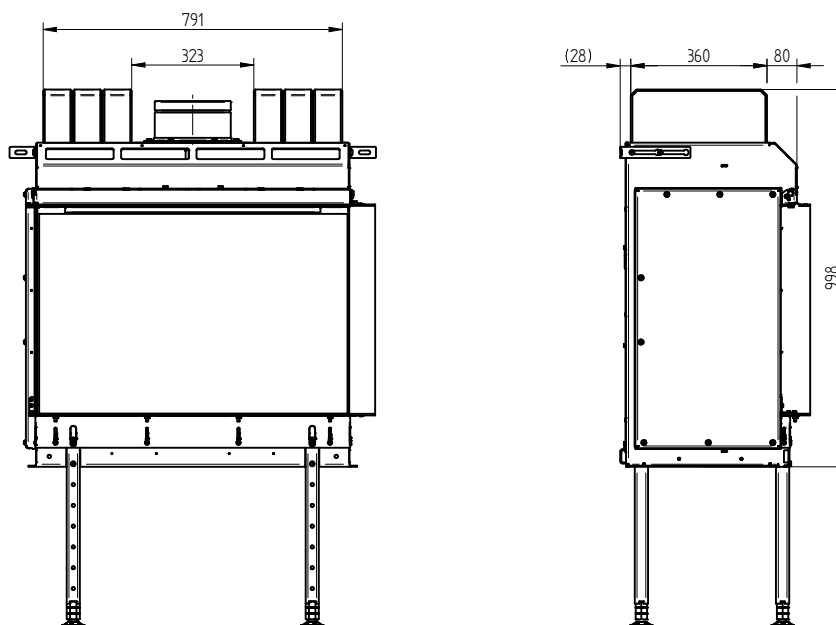


ECKA G-82R

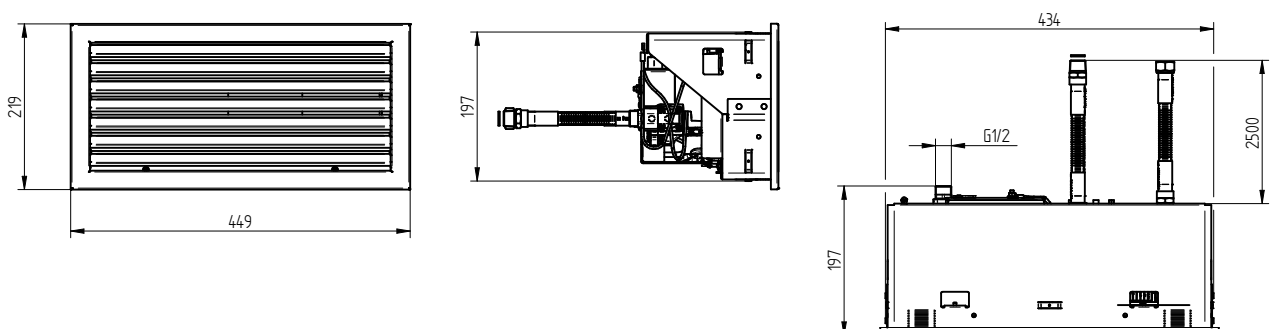
ECKA G-82R right Convection jacket



ECKA G-82R right Accumulation set



Technical box with connection to appliance (length 2,5 m) 1:20



M 1:20